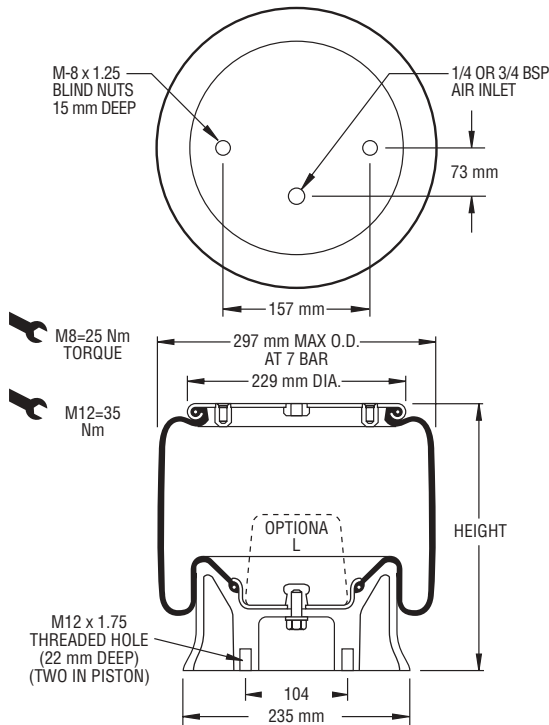


NOTE: All Assembly Order Numbers are for bead plate parts unless noted otherwise.

	Description	Assembly Order No.
Style 1T15M-4	Blind nuts, 1/4 BSP	W01-M58-6284
	Blind nuts, 1/4 BSP, bumper	W01-M58-6283
Two Ply Bellows	Blind nuts, 3/4 BSP	W01-M58-6280
	Blind nuts, 3/4 BSP, bumper	W01-M58-6281
Assembly weight.....		6.49 kg.



NOTE: Bellows will not compress properly with less than .7 BAR internal pressure.

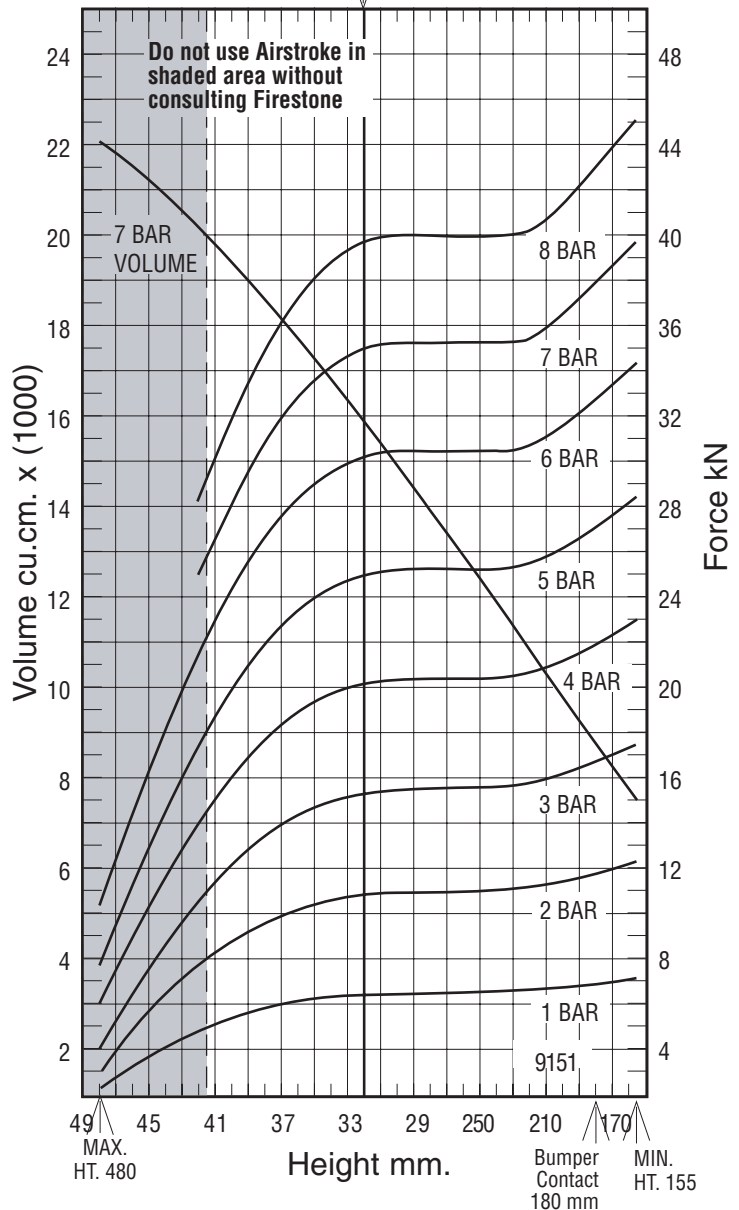
NOTE: A bead plate part is shown. This part is also available with a bead ring. Bolts are not included. See pages 8-10 for explanation.

Gauge Pressure (BAR)	Load (kN)	Spring Rate (kN/m)	Natural Frequency Hz
3	13.30	94	1.33
4	18.18	121	1.29
5	22.97	147	1.26
6	28.21	173	1.24
7	32.97	198	1.22

CONSULT FIRESTONE BEFORE USING AS AIRMOUNT

RECOMMENDED AIRMOUNT DESIGN HEIGHT 320 mm.

Static Data
9151



See page 12 for instructions on how to use chart.

Assembly Height (mm)	Volume @ 7 BAR (cu cm)	EFF Area @ 7 BAR (cm sq)	kN Force				
			@ 3 BAR	@ 4 BAR	@ 5 BAR	@ 6 BAR	@ 7 BAR
400	18412	371	10.00	13.84	17.67	22.06	25.95
360	16746	439	12.25	16.79	21.27	26.24	30.73
320	14853	471	13.30	18.18	22.97	28.21	32.97
280	12874	475	13.48	18.41	23.23	28.47	33.24
240	10870	475	13.53	18.41	23.23	28.47	33.24
200	8827	491	14.11	19.11	24.09	29.47	34.39
160	6803	533	15.26	20.70	26.12	32.00	37.34