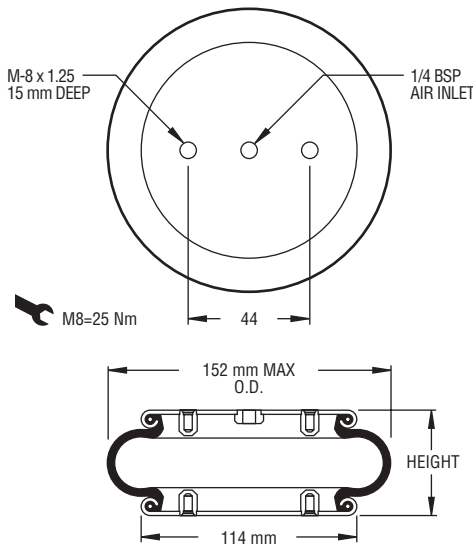


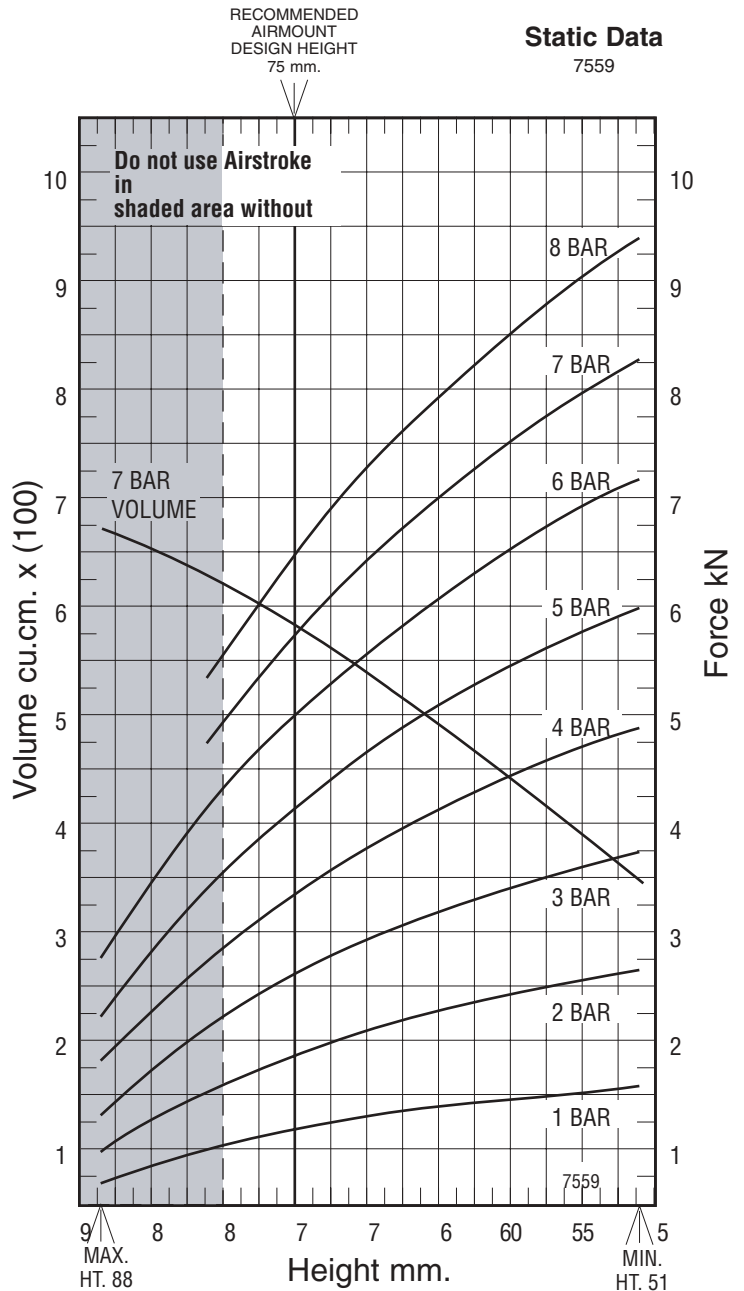
NOTE: All Assembly Order Numbers are for bead plate parts unless noted otherwise.

| | Description | Assembly Order No. |
|---|---|--------------------|
| Style 16 | Blind nuts, 1/4 BSP | W01-M58-6140 |
| | Socket head aluminum bead rings (bolts, nuts, washers not included—use M6 cap screws) | W01-358-0017 |
| Two Ply Bellows | Rubber bellows only | W01-358-0010 |
| Assembly weight..... | | 1.13 kg. |
| Force to collapse to minimum height (@ 0 BAR) | | 133 N. |



NOTE: A bead plate part is shown. This part is also available with bead rings. Bolts are not included. See pages 8-10 for explanation.

Static Data
7559



See page 12 for instructions on how to use chart.

| Gauge Pressure (BAR) | Load (kN) | Spring Rate (kN/m) | Natural Frequency Hz |
|----------------------|-----------|--------------------|----------------------|
| 3 | 2.04 | 140 | 4.13 |
| 4 | 2.76 | 177 | 3.99 |
| 5 | 3.52 | 217 | 3.91 |
| 6 | 4.36 | 256 | 3.82 |
| 7 | 5.10 | 293 | 3.78 |

| Assembly Height (mm) | Volume @ 7 BAR (cu cm) | EFF Area @ 7 BAR (cm**2) | kN Force | | | | |
|----------------------|------------------------|--------------------------|----------|---------|---------|---------|---------|
| | | | @ 3 BAR | @ 4 BAR | @ 5 BAR | @ 6 BAR | @ 7 BAR |
| 80 | 575 | 61 | 1.61 | 2.25 | 2.89 | 3.62 | 4.26 |
| 70 | 492 | 83 | 2.37 | 3.20 | 4.06 | 4.98 | 5.81 |
| 60 | 390 | 99 | 2.85 | 3.88 | 4.89 | 5.95 | 6.93 |