



## INSTALLATION INSTRUCTIONS

**Read installation instructions in its entirety before installing your Coil-Rite Kit**

### STEP 1 - VEHICLE PREPARATION

Remove the positive battery cable. With the vehicle on a solid level surface chock the front wheels. Raise the rear wheels of the vehicle using a lift or platform jack rated for your vehicle weight. Lower the vehicle frame onto jack stands rated for your vehicle's weight making sure the suspension is fully extended. (DO NOT use wood or concrete blocks to support the weight of the vehicle.)

Insert the plastic plug into the hole in the upper spring seat *see Figure "A"*.

### STEP 2 - AIR SPRING PREPARATION

Cut a section of air line tubing 3 inches in length and inert into the push-to-connect air inlet on the air spring (a "saw" cut with a sharp knife is preferred). Exhaust the air from the air spring by rolling it up toward the air inlet. After the air is exhausted, install the plug into the tubing coming out of the air spring *see Figure "B"*.

### STEP 3 - INSTALL THE AIR SPRING

Insert the bottom of the flattened air spring into the coil spring through the lowest opening in the coil spring with the push-to-connect air inlet at the bottom of the coil spring *see Figure "C"*.

#### WARNING

Do not inflate this assembly when it is unrestricted. The assembly must be restricted by a coil spring. Do not inflate beyond recommended operating pressures for your specific vehicle. Improper use or over inflation may cause property damage or severe personal injury.

**FIRESTONE INDUSTRIAL PRODUCTS  
CARMEL, INDIANA, USA**

**FORBESTRIDE** use only enough air pressure in the air helper springs to level the vehicle when viewed from the side (front to rear). This amount will vary depending on the load, location of load, condition of existing suspension and personal preference.

#### PARTSLIST

DESCRIPTION	QTY.
AIR SPRINGS 4.75" X 13.00" 6022	2
PLUG	1
18' AIR LINE	1
NYLON TIE	6
PUSH-TO-CONNECT INFLATION VALVE	2
5/16" FLAT WASHER	4
LOWER SUPPORT	2
UPPER PLUG	2

#### RECOMMENDED OPERATING PRESSURES

Ford Expedition	5 - 35 p.s.i.
-----------------	---------------

# COIL-RITE INSTALLATION PROCEDURE

## STEP 4 - ADJUST THE AIR SPRING

Push the air spring up into the coil spring by hand or with a blunt tool, such as a socket extension. **DO NOT** use any thing with sharp edges or corners, as this may damage the air spring.

When the air spring is completely within the coil spring, remove the plug and tubing section by pushing the collar on the fitting towards the air spring and pulling out the tubing. Allow the air spring to return to its normal shape.

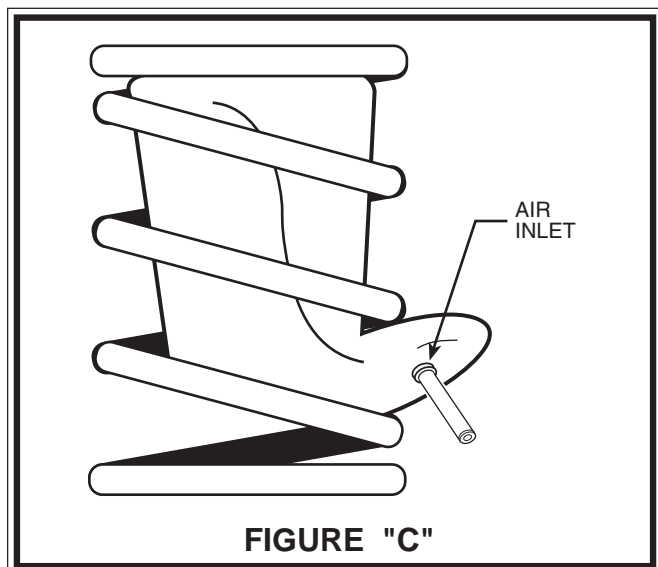
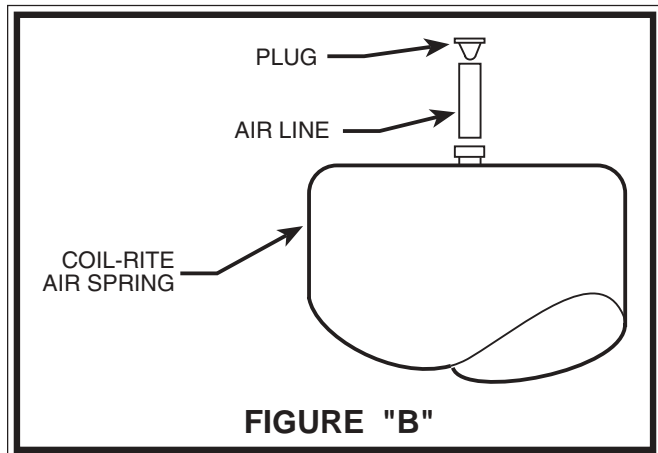
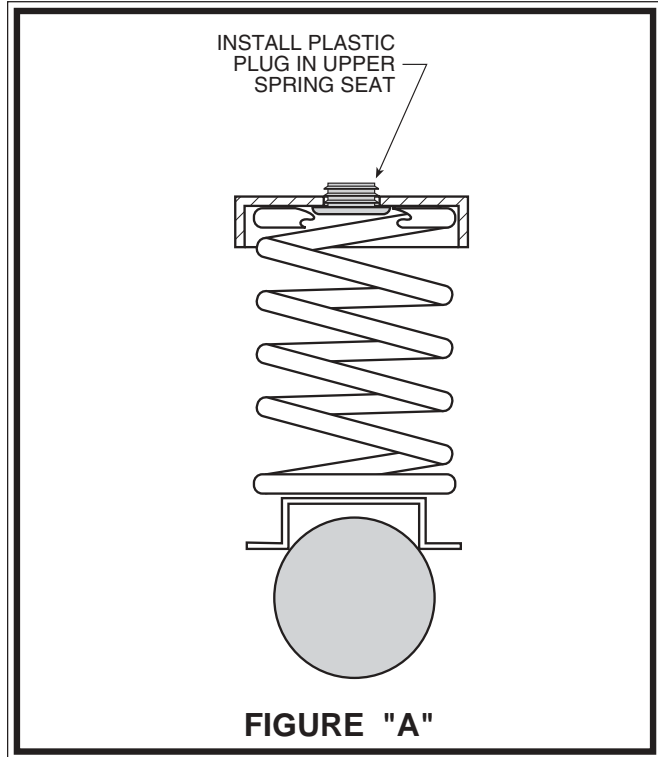
Push the air spring to the top of the coil spring and insert the lower support between the air spring and the lower spring seat *see Figure "D"*.

## STEP 5 - ROUTE THE AIR LINE

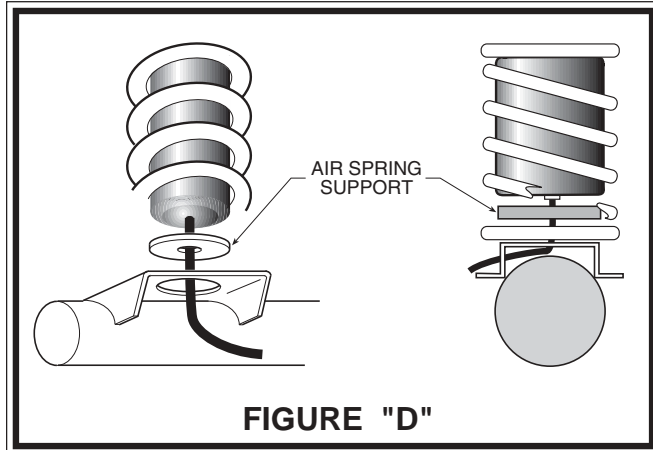
Cut the air line tubing into two equal lengths, making sure the tubing is cut as squarely as possible (a "saw" cut with a sharp knife is preferred). Select a location for the inflation valves in a protected area, such as on the bumper or body of the vehicle (*Note: The inflation valve will be installed in Step 6*).

Insert the air line tubing into the push-to-connect fitting on the air spring as far as possible. Route the air line from the air spring to the desired inflation valve location.

With the tubing routed from the air spring to the inflation valve location, use the nylon ties supplied to secure the air line tubing to the vehicle *see Figure "E"*. Be careful to avoid heat and sharp edges when fastening the tubing to the vehicle. Route the tubing away from the exhaust system.



# COIL-RITE INSTALLATION PROCEDURE



## STEP 6 - INSTALL THE INFLATION VALVE

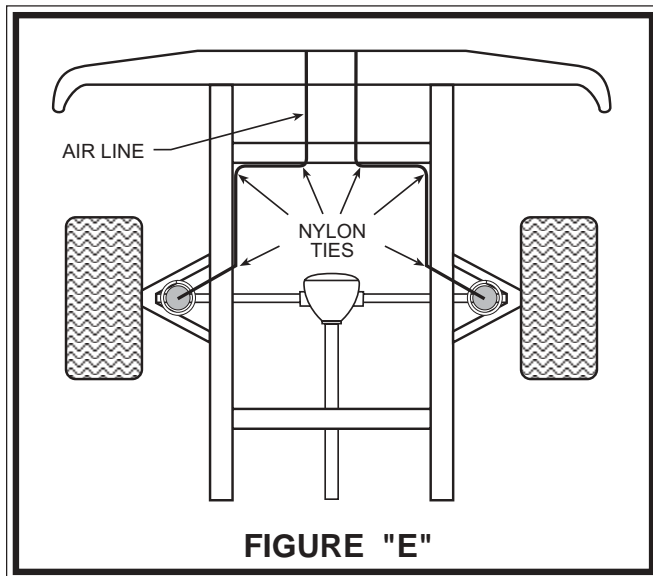
Drill a 5/16" hole where you wish to mount the inflation valve. Remember to keep the inflation valve in a protected area that is easily accessible. Attach the inflation valve to the bumper or body of the vehicle see Figure "F".

Cut the excess air line tubing so that it will fit easily into the inflation valve, making sure the end is cut squarely (a "saw" cut with a sharp knife is preferred). Push the end of the tubing into the inflation valve as far as possible.

## STEP 7 - INSTALL THE OPPOSITE-SIDE

### AIR SPRING

Follow Steps 2-6 to install the second air spring on the remaining side of the vehicle.

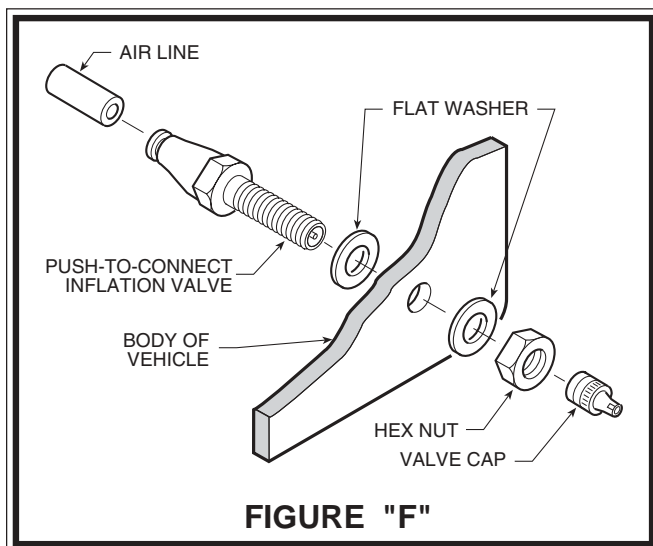


## STEP 8 - INFLATE AND TEST

Inflate the air springs to recommended maximum operating pressure (see page 1 for operating pressures). With a soap and water solution, check for air leaks around the fittings and valve core. We recommend inflating and deflating in 5 p.s.i. increments to find the ideal riding condition for your vehicle.

## STEP 9 - COMPLETION

This now completes the installation. Raise the vehicle and remove the jack stands and lower the vehicle to the ground. Re-attach the positive battery cable.



**NOTE:** CHECK AIR PRESSURE ON A MONTHLY BASIS.

**Limited Warranty for  
COIL-RITE Air Helper Springs and Accessories**

Firestone Industrial Products Company warrants that Coil-Rite products will be free from defects in workmanship or materials for a period of 24 months or 24,000 miles (whichever occurs first) from date of installation. This does not include installation or other service charges for replacement.

For an adjustment under this warranty, contact your dealer or call Firestone.

TO THE EXTENT PERMITTED BY LAW, WE DISCLAIM CONSEQUENTIAL DAMAGES. SOME STATES DO NOT ALLOW THE EXCLUSION OR LIMITATION OF INCIDENTAL OR CONSEQUENTIAL DAMAGES, SO THE ABOVE LIMITATION OR EXCLUSION MAY NOT APPLY TO YOU.

This warranty gives you specific legal rights and you may also have other rights which vary from state to state.

**FOR MORE INFORMATION OR  
TECHNICAL ASSISTANCE CALL:  
1-800-247-4337**

**Firestone**  
**RIDE-RITE® - COIL-RITE® - SPORT-RITE™**  
*World's Number 1 Air Spring*

**FIRESTONE INDUSTRIAL PRODUCTS**  
**8600**  
**12650 HAMILTON CROSSING BOULEVARD**  
**CARMEL, IN 46032**

**TELEPHONE: 317-818-**

**1-800-247-4337**  
**FAX: 317-818-8645**

**[www.firestoneindustrial.com](http://www.firestoneindustrial.com)**