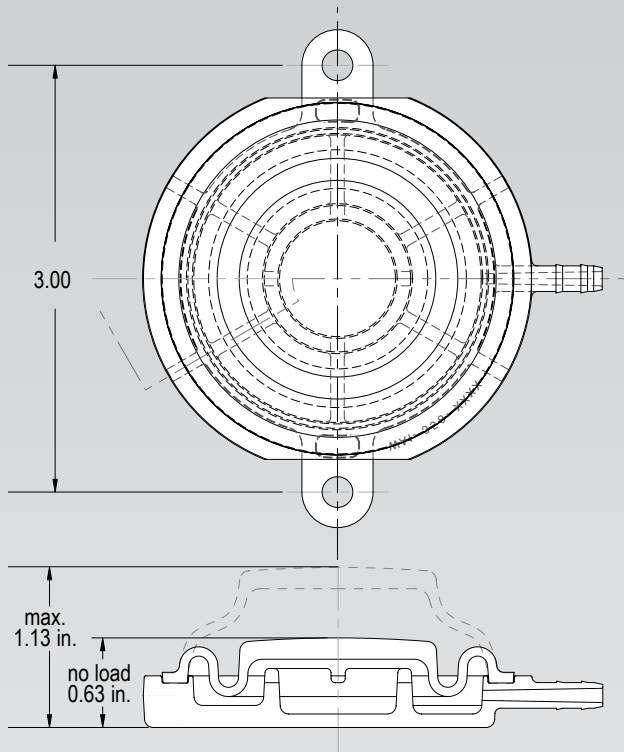
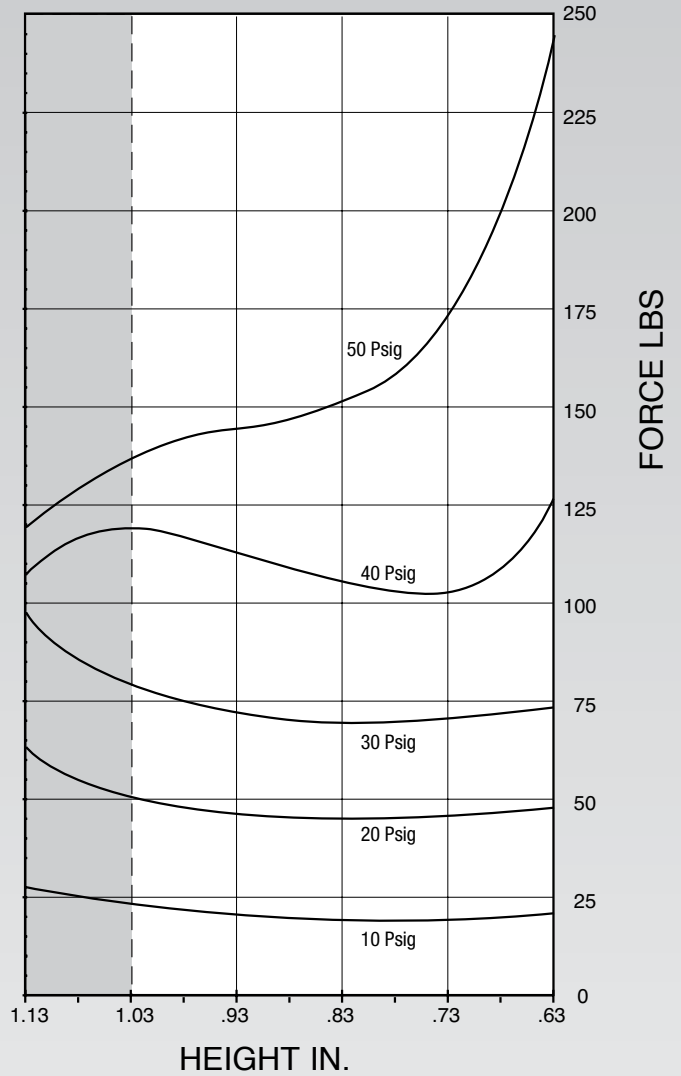


Description	Assembly Order No.
70-P-13	WA1-358-5674



Use #8 or 4mm screws to mount through tabs.

Use .18 [4.6] ID nylon or equivalent tubing.



**Force Table (Use for Airstroke™ actuator design)**

Assembly Height (in.)	Volume @ 50 PSIG (in <sup>3</sup> )	Pounds Force				
		@10 PSIG	@20 PSIG	@30 PSIG	@40 PSIG	@50 PSIG
1.13		32	63	95	101	114
1.03		26	51	77	115	132
.93		24	49	73	109	139
.83		23	47	70	102	146
.73		23	46	69	100	174
.63		24	49	73	129	247

**NOTE:**

**Do not use as an Airmount isolator.**